



### Non-Penetrating Roof Mounts

- PTX-NPR 238S** Single Tray
- PTX-NPR 238D** Double Tray
- PTX-NPR 300S** Single Tray
- PTX-NPR 300D** Double Tray

Pipe Sizes: 2-3/8 in (60mm) • 3 in (75mm)

Patriot Non-penetrating roof mounts are designed to mount antennas onto existing roof structures without penetrating or altering the roof. NPR's are held in place with ballast which varies with antenna elevation, and 50 year mean wind expectation per site. (cont. on next page.)

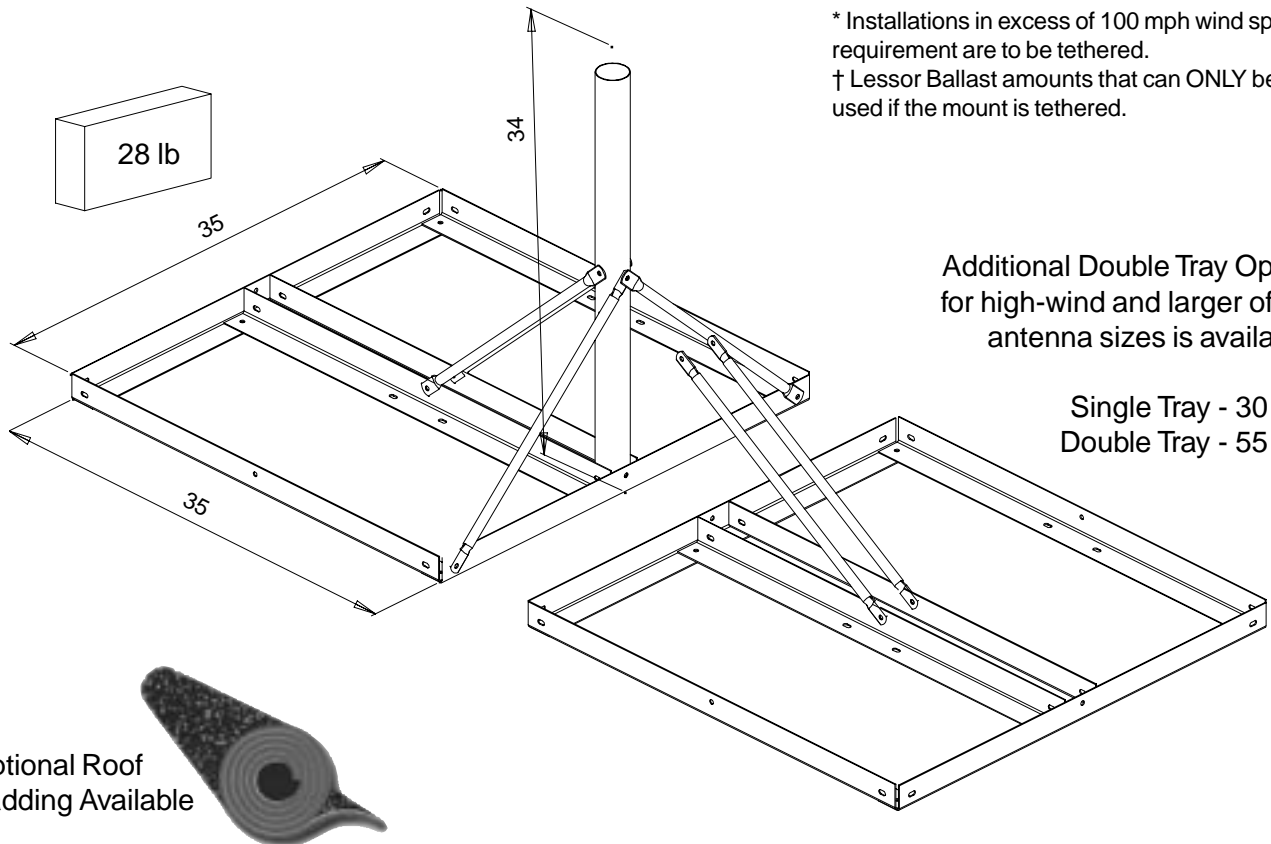
60 - 75cm Ballast Chart			
Elevation	Ballast Required (lbs)		
	Wind Speed (mph)		
	80	100	125
22°	120	250	452
40°	94	195	353
60°	54	112	203

90 - 100cm Ballast Chart			
Elevation	Ballast Required (lbs)		
	Wind Speed (mph)		
	80	100	125
22°	259	480	826* (605)†
40°	202	374	644* (475)†
60°	116	216	371*

120cm Ballast Chart			
Elevation	Ballast Required (lbs)		
	Wind Speed (mph)		
	80	100	125
22°	411	733	1236* (905)†
40°	321	572	964*
60°	185	330	556*

\* Installations in excess of 100 mph wind speed requirement are to be tethered.

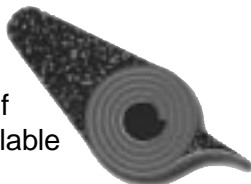
† Lesser Ballast amounts that can ONLY be used if the mount is tethered.



Additional Double Tray Option for high-wind and larger offset antenna sizes is available.

Single Tray - 30 lbs.  
Double Tray - 55 lbs.

Optional Roof Padding Available



1.8m Ballast Chart			
Elevation	Ballast Required (lbs)		
	Wind Speed (mph)		
	80	100	125
22°	634	1370	2520*
40°	494	1069	1965*
60°	285	617	1134*

2.4m Ballast Chart			
Elevation	Ballast Required (lbs)		
	Wind Speed (mph)		
	80	100	125
22°	1240	2435	4302*
40°	967	1900	3356*
60°	558	1096	1936*

2.8m Ballast Chart			
Elevation	Ballast Required (lbs)		
	Wind Speed (mph)		
	80	100	125
0°	1922	3543	6075*
20°	1499	2763	4739*
40°	865	1594	2734*

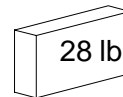


**Non-Penetrating Roof Mounts**  
**PTX-NPR 400S** Single Tray  
**PTX-NPR 400D** Double Tray  
**PTX-NPR 550S** Single Tray  
**PTX-NPR 550D** Double Tray

Pipe Sizes: 4 in (100mm) • 5-1/2 in (140mm)

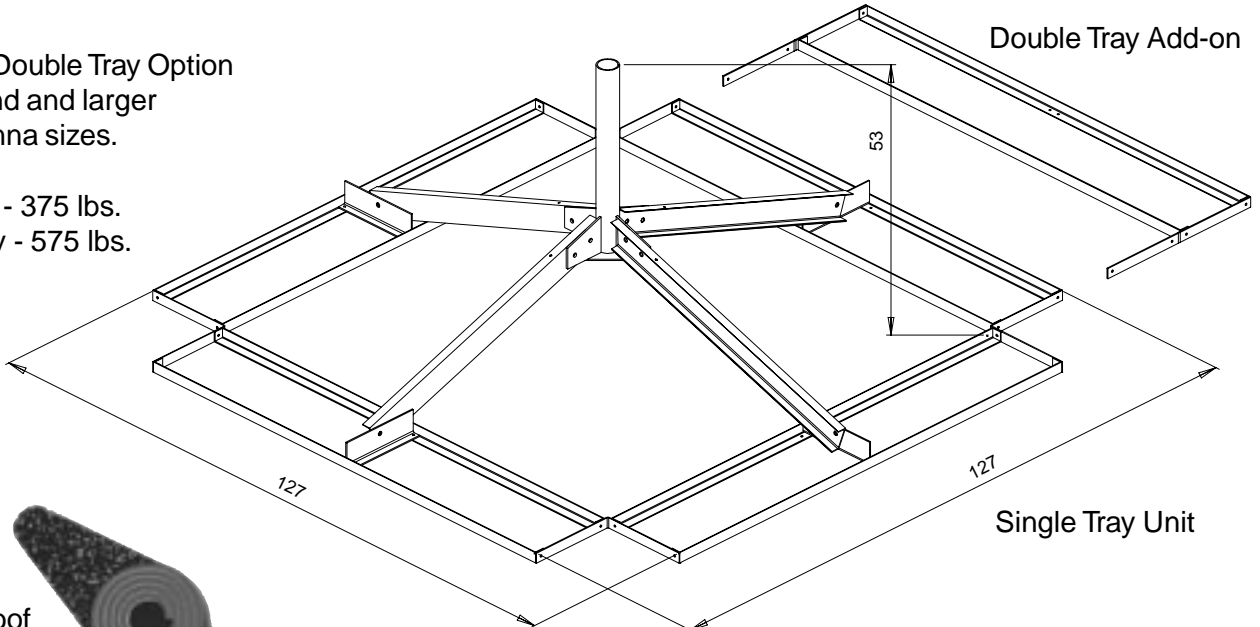
Patriot ballast trays are designed to spread the load over a large area of the roof so as not to exceed typical roof load criteria. Most roof mount installations exert 6x less bearing load per square-foot than a person standing on the roof.

\* Installations in excess of 100 mph wind speed requirement are to be tethered.



Additional Double Tray Option for high-wind and larger offset antenna sizes.

Single Tray - 375 lbs.  
 Double Tray - 575 lbs.



Optional Roof Padding Available

