

LBS8-R1

8" Speaker Tile Bridge with Twist'n Lock™ Mount

Features

- Twist'n Lock™ tabs mount noted backboxes without using tools or hardware for fast installation.
- Formed construction is lightweight with rigid support.
- Mounts 8" speakers with a wide selection of screw-mount or torsion spring grilles.
- Mounts backbox Series XCP, 8XD4, 8PSBX, IX810, IX610.

Description

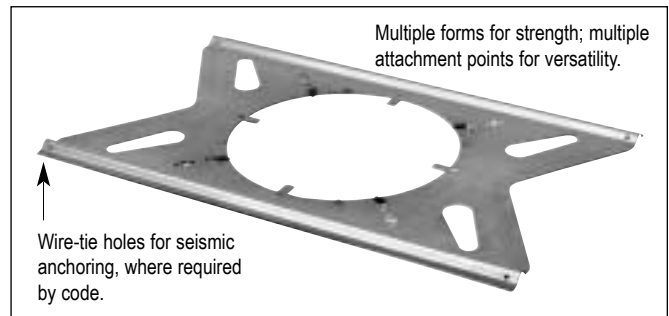
Lowell tile bridge Model LBS8-R1 is engineered to distribute the speaker assembly weight to the ceiling support system in a suspended 2' x 2' or 2' x 4' tile ceiling system. Tile bridges are often required, for safety reasons, by local building codes, and for aesthetics to reduce the potential of unsightly ceiling tile sag.

Lowell's tile bridge Model LBS8-R1 may be used with or without a backbox, depending on local building codes and the speaker-grille combination being installed (torsion grilles require a backbox). Most installations, however, do utilize a backbox so Lowell incorporated a time saving backbox mounting feature. The unique Twist'n Lock™ feature provides hardware-free backbox mounting to speed system installation and reduce labor cost. The Twist'n Lock™ feature includes four (4) formed tabs that align with four (4) punched cut-outs in the lip of designated Lowell backboxes. To install, simply place the backbox on to the tile bridge, align cutouts with the tabs, push down and twist to lock in position; no screws or fastening hardware required.

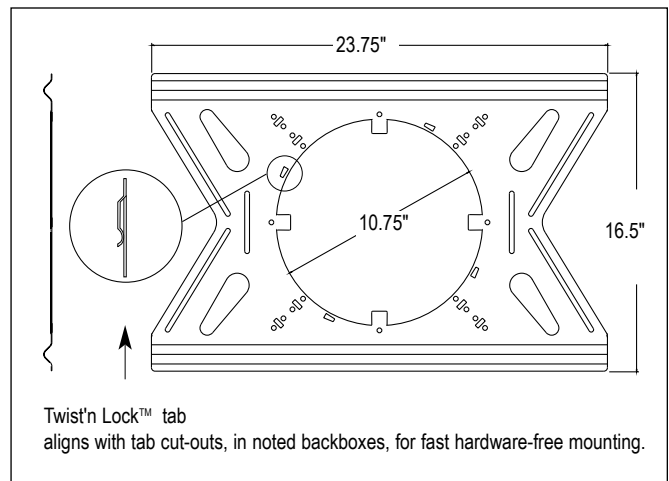
Companion backboxes and grilles are shown in the chart below. Model Series XCP (available in 4", 5", 7" and 10" depths) and stacking Model 8XD4 include cut-outs for utilizing the Twist'n Lock™ feature. All backbox models listed, including those with cut-outs, may be mounted to the tile bridge in standard screw-mount fashion. Model LBS8-R1 is galvanized 22-gauge steel size 23.75"L x 15.5"W with multiple forms for strength, a round center opening size 8.5"Dia., and wire-tie holes at each corner for seismic anchoring where required by code.

A & E Specifications

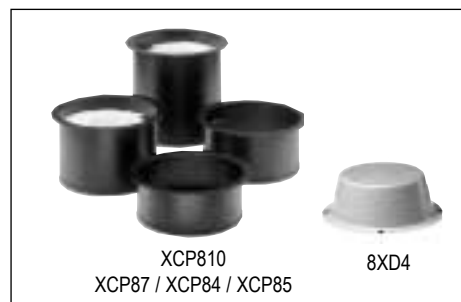
Tile bridge shall be Lowell Model LBS8-R1. It shall be formed from 22-gauge galvanized steel and be engineered to support and distribute the weight of an 8" speaker assembly to the ceiling support system in a 2' x 2' or 2' x 4' suspended ceiling installation. It shall include provisions for seismic anchoring where required by code. Tile bridge shall mount 8" Lowell grille Model _____ with attached 8" Lowell speaker Model _____. For plenum installations and applications that require a protective backbox, tile bridge/speaker/grille assembly shall accept Lowell backbox Model _____. Backbox shall mount via screws or Lowell's Twist'n Lock™ tabs.



Tile bridge Model LBS8-R1



LBS8-R1 dimensions



Backboxes equipped with tab cut-outs for Twist'n Lock installation to LBS8-R1. May also be screw mounted.



Backboxes for screw installation to LBS8-R1.

TILE BRIDGE SPECIFICATIONS

Model	Mounts Speaker	Outside Dimensions	Opening Size	Mounts Backbox (if desired)	Mounts Grille
LBS8-R1**	8"	23.75"L x 15.5"W	10.75" Dia.	Series: XCP*, 8XD4*, Model: 8PSBX Series: XCP*, Model: IX810, IX610	A8-A(W), CS-8H, LK-8, LO8-P, OM8-P, RS8-A(W), WB-8, WB8-6, WB-8H CN-8M, CS-8W, EJ-8, WB-8T

* Noted backbox models include cutouts that align to the tabs on the tile bridge for labor-saving Twist'n Lock™ mounting of the backbox. These models may also be screw mounted, if required.
** The LBS8-R1 will mount torsion spring grille models CN-8M, CS-8W, EJ-8, and WB-8T IF the recommended backbox is installed.